



## PRODUCT INTRODUCTION

<b>PRODUCT</b>	GreenGlide	<b>DESCRIPTION</b>	Rechargeable GreenGlide
<b>LAST UPDATE</b>	12/7/2023	<b>FILE VERSION</b>	1.0



## TECHNICAL SPECIFICATION

<b>DIMENSIONS</b>	36.4mm x 16mm x 69.9mm
<b>TANK CAPACITY</b>	1-5mL
<b>INTERNAL BATTERY</b>	350 mAh
<b>WEIGHT</b>	28g
<b>FLUID INTAKE HOLE</b>	2mm
<b>CHARGING PORT</b>	USB-C
<b>ACTIVATION</b>	Draw Based
<b>RESISTANCE</b>	1.4 Ω
<b>ATOMIZER COIL</b>	Quartz
<b>OUTPUT VOLTAGE</b>	3.7v



## MOUTHPIECE CAPPING METHOD

<b>SINGLE PIECE</b>	Handpress
<b>LARGE BATCHES</b>	Custom capping tray can be included

## KEY COMPONENTS MATERIAL

<b>MOUTHPIECE</b>	Plastic
<b>TANK</b>	Glass
<b>CENTER POST</b>	Copper
<b>HEATING ELEMENT</b>	Quartz
<b>BATTERY SHELL</b>	PTCG
<b>DEVICE CASING FINISH</b>	Soft touch

## COMPATIBLE FLUIDS

- Delta 8
- Delta 9
- Live Resin
- Live Rosin (Low viscosity recommended)
- Hash Rosin
- Liquid Diamonds

## OPERATING TEMPERATURE

<b>CHARGING TEMP.</b>	10°C to 45°C / 50°F to 113°F
<b>WORKING TEMP.</b>	0°C to 60°C / 32°F to 140°F
<b>OPERATING HUMIDITY</b>	35% TO 70%

## RECOMMENDED FLUIDS

- Delta 8
- Delta 9
- Live Resin

## STORAGE TEMPERATURE

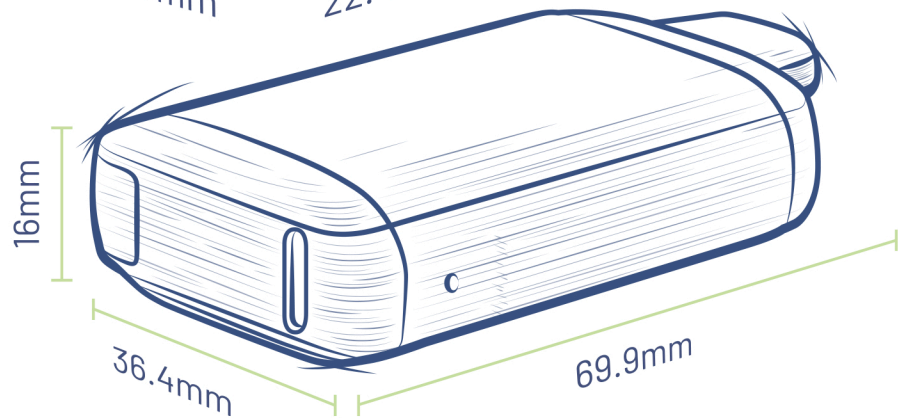
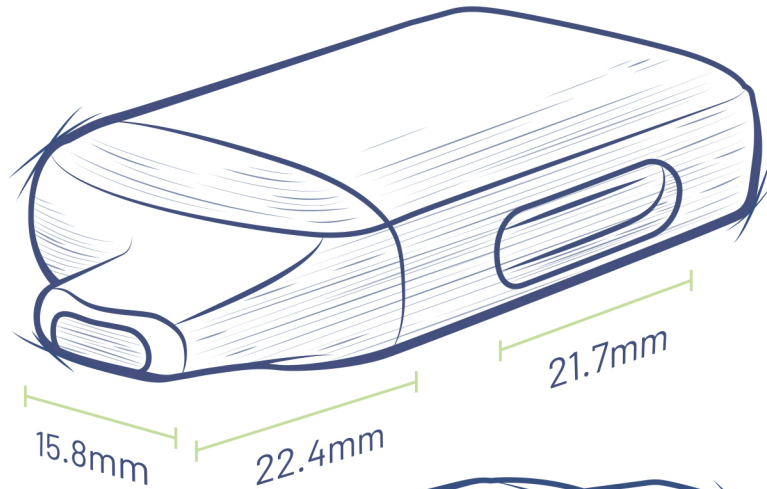
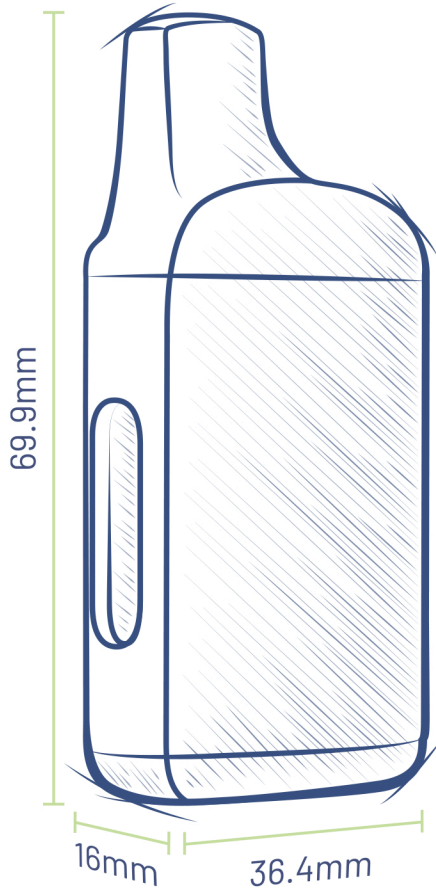
<b>STORAGE TEMP.</b>	20°C to 25° C or 68°F to 77°F
<b>STORAGE HUMIDITY</b>	35% TO 70%

## CERTIFICATIONS & LAB TESTS

- ✓ Heavy Metals Test
- ✓ MSDS
- ✓ UL38.3
- ✓ 1.2 Meter Drop Test

## CUSTOMIZATION CAPABILITY

- Atomizer Resistance Modification
- Aperture Modification
- LED Light Color Modification
- Customized Logo, Color, and Surface Finish
- Power curve modification



## OPERATING INSTRUCTIONS

<b>ACTIVATION</b>	Inhale the device via breath and the device will be actuated automatically. Stop inhaling to deactivate the device.
<b>NOTIFICATION U.I.</b>	The LED light is constantly blue when the device is working.
<b>LOW BATTERY NOTIFICATION</b>	When the battery voltage is lower than 3.2V during inhalation, the blue light flashes.
<b>CHARGING INDICATION</b>	The LED lights up in blue when charging cable is connected, the light turns off when fully charged. The light flashes 3 times in blue when the charger is disconnected.
<b>SHORT-CIRCUIT PROTECTION</b>	The LED Light flashes 3 times when the device detects a short circuit, and this indicates a malfunction.
<b>OVER USAGE PROTECTION</b>	The LED light will flash three times if inhalation exceeds 10 seconds.